

May balo miễn Phí



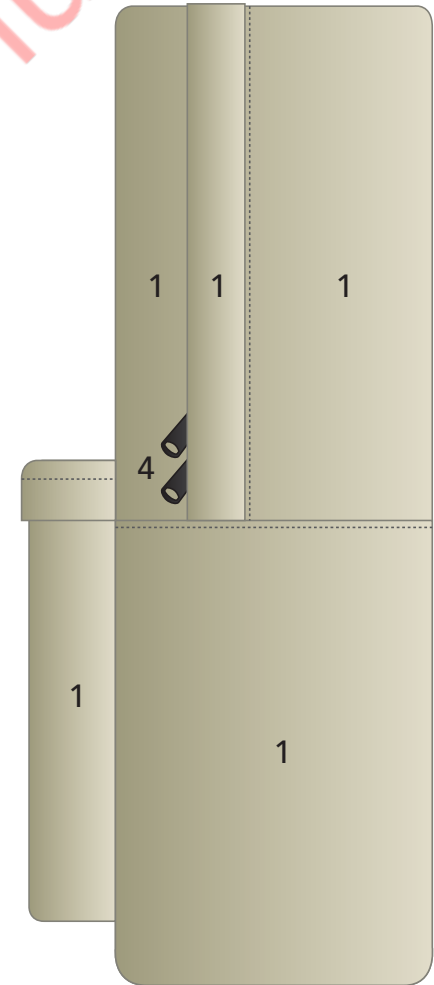
PACK-DESIGNER.COM

MATERIALS

- 1 - 600D polyester pack cloth
- 2 - (custom orange striped liner)
- 3 - 1" nylon webbing
- 4 - YKK #8 zipper with standard sliders
- 5 - 1" tension lock
- 6 - 1" elastic strapping (part of Keep Pursuing patented harness system)
- 7 - 1" swivel hardware (part of Keep Pursuing patented harness system)
- 8 - shoulder strap shock absorber (part of Keep Pursuing patented harness system)
- 9 - 5mm Closed cell EVA foam

(shown 30% scale)

DESIGN | PACK 1

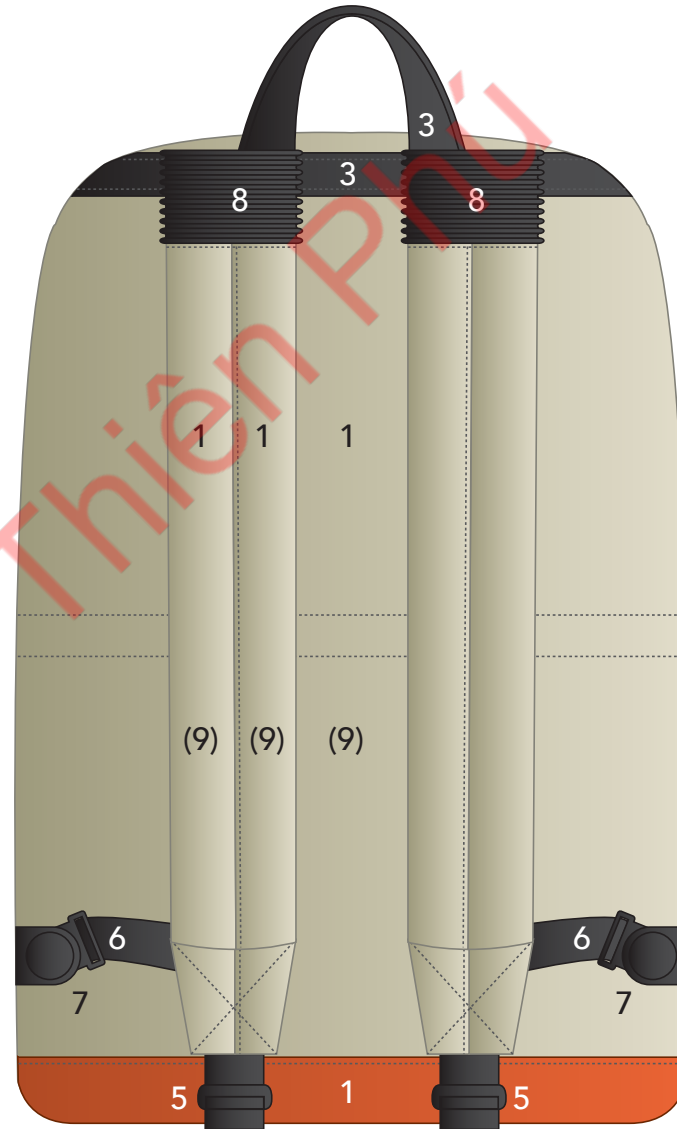


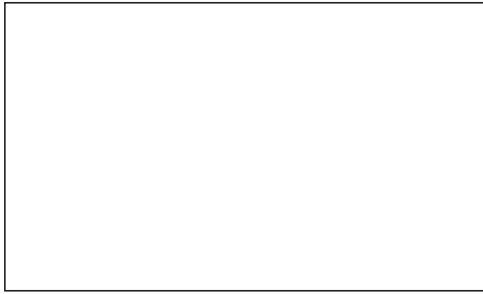
MATERIALS

(shown 30% scale)

DESIGN | PACK 1

- 1 - 600D polyester pack cloth
- 2 - (custom orange striped liner)
- 3 - 1" nylon webbing
- 4 - YKK #8 zipper with standard sliders
- 5 - 1" tension lock
- 6 - 1" elastic strapping (part of Keep Pursuing patented harness system)
- 7 - 1" swivel hardware (part of Keep Pursuing patented harness system)
- 8 - shoulder strap shock absorber (part of Keep Pursuing patented harness system)
- 9 - 5mm Closed cell EVA foam





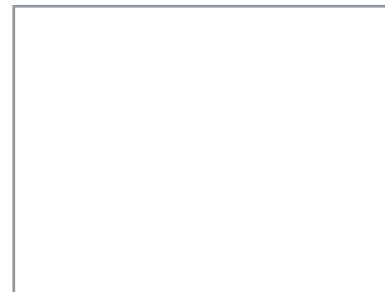
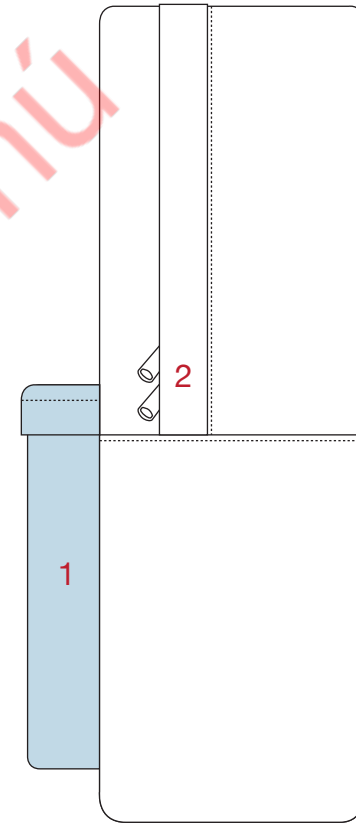
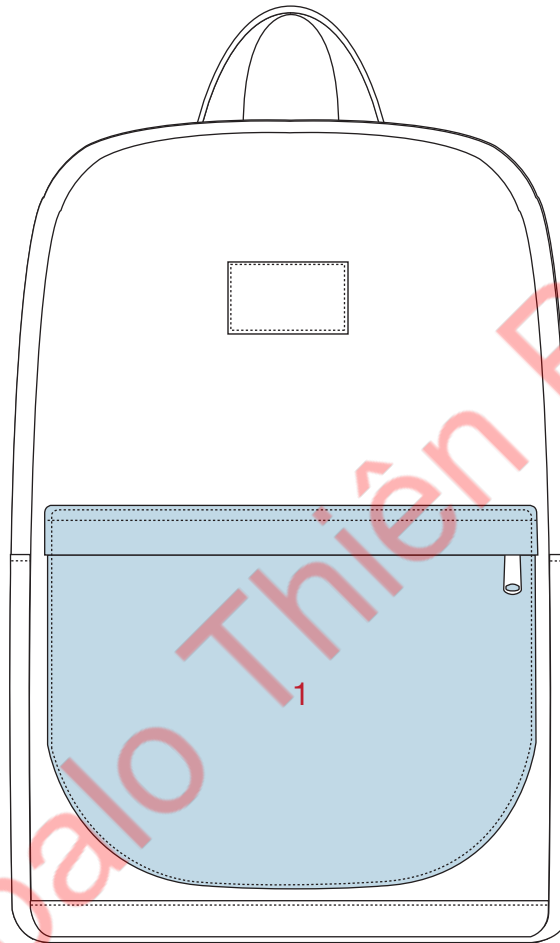
1 - KEEP PURSUING woven label (TBD)

May balo Thiên Phú

1 - Front top stitched pocket with rain flap covered horizontal zipper. Tucked corner construction - no sidewall

2 - Dual zipper puller on main compartment

3 - Custom striped liner



CONSTRUCTION DETAILS

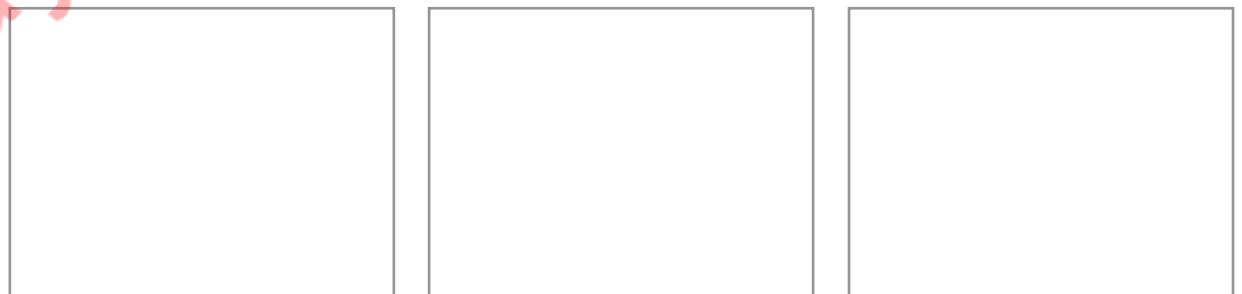
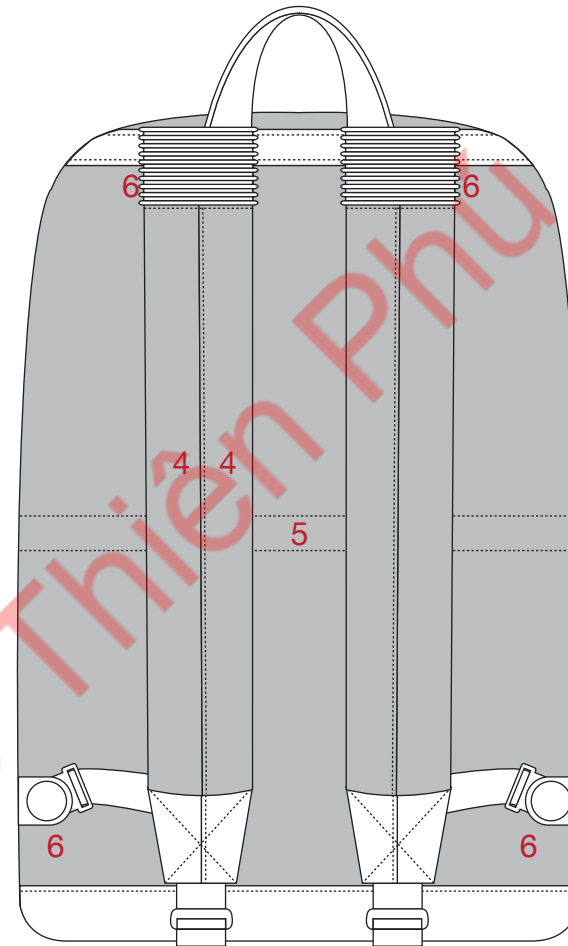
(shown 25% scale)

DESIGN | PACK 1

4 - 5mm EVA foam inside wrapped and top stitched sholder straps

5. 5mm EVA foam behind back panel with two horizontal top stitch details

6. Use Keep Pursuing patented shock absorbing shoulder harness system



CONSTRUCTION DETAILS

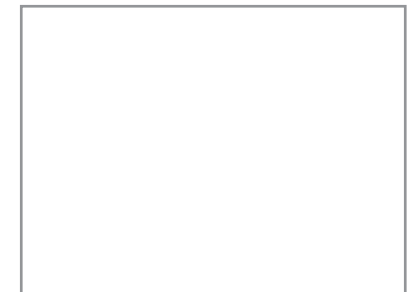
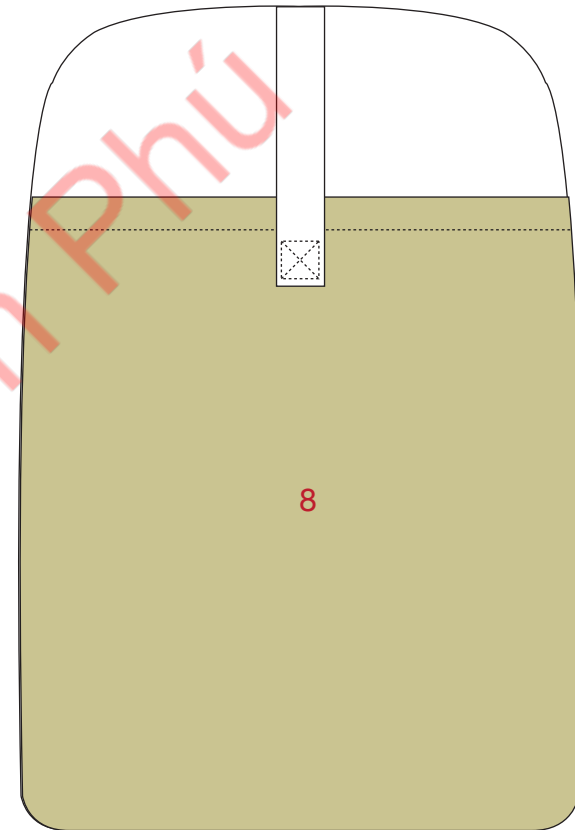
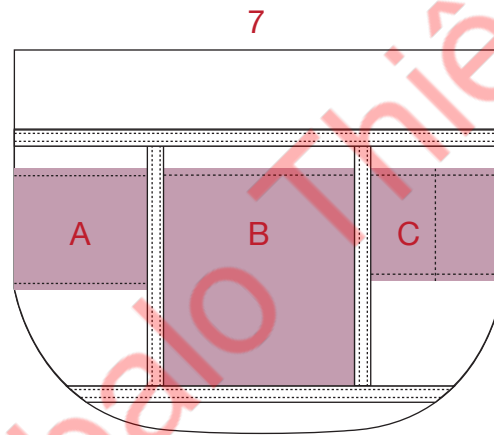
(shown 25% scale)

DESIGN | PACK 1

7 - Organization panel inside front pocket with binding construction as shown

- A. business card slot
- B. cell phone pocket
- C. two pen slots

8 - Padded laptop sleeve (5mm EVA) inside main compartment, with velcro webbing closure



DIMENSIONS

(shown 25% scale)

DESIGN | PACK 1

